

Technical Information

Memosens COS81D

Hygienic, optical sensor for measuring oxygen



Sensor with maximum measurement stability over multiple sterilization cycles

Application

Typical applications include:

- Oxygen control in fermenters, e.g. in the pharmaceutical or biotechnology sectors
- Monitoring of explosive atmospheres with an oxygen concentration of up to 2%
- Quality control in the food industry

Your benefits

- Accurate measurements with longterm stability and permanent self-monitoring
- Can be sterilized up to 140 °C (284 °F) and autoclavable
- Stainless steel 1.4435 (AISI 316L) meets the highest demands of the pharmaceutical industry
- IP68 protection
- Sensor certified in accordance with EHEDG
- Complies with the relevant sections of the ASME-BPE
- Available with a certificate of conformity for pharmaceutical requirements
- Available with inspection certificate EN 10204-3.1
- Materials compliant with FDA and/or USP class VI specifications

Other advantages of Memosens technology

- Maximum process safety thanks to non-contact, inductive signal transmission
- Data security thanks to digital data transmission
- Very easy to use as sensor data saved in the sensor
- Recording of sensor load data in the sensor enables predictive maintenance

Table of contents

Function and system design	3	Ex approvals	11
Measuring principle	3	Material certificates	11
Measuring system	4	EHEDG	11
Dependability	4	ASME BPE-2016	11
Reliability	4	Regulation (EC) No. 1935/2004	11
Maintainability	5	Biological reactivity test	12
Safety	5	Ordering information	12
Input	5	Product page	12
Measured values	5	Product Configurator	12
Measuring ranges	5	Scope of delivery	12
Power supply	6	Accessories	12
Electrical connection	6	Assemblies (selection)	12
Performance characteristics	6	Measuring cable	13
Response time	6	Zero-point gel	13
Reference operating conditions	6		
Maximum measured error	6		
Installation	7		
Installation instructions	7		
Orientation	7		
Installation examples	8		
Permanent installation (CPA442)	8		
Flow assembly	8		
Retractable assembly (CPA875 or CPA450)	9		
Environment	9		
Ambient temperature	9		
Storage temperature	9		
Degree of protection	9		
Process	9		
Process temperature	9		
Process pressure	9		
Temperature-pressure ratings	10		
Chemical resistance	10		
CIP compatibility	10		
SIP compatibility	10		
Autoclavability	10		
Mechanical construction	10		
Design	10		
Dimensions	10		
Weight	11		
Materials	11		
Process connection	11		
Surface roughness	11		
Temperature sensor	11		
Certificates and approvals	11		
Declaration of Conformity	11		

Function and system design

Measuring principle

Sensor structure

Oxygen-sensitive molecules (markers) are integrated into an optically active layer (fluorescence layer).

The fluorescence layer, an optical insulating layer and a cover layer are applied on top of one another on a carrier. The cover layer is in direct contact with the medium.

The sensor optics are directed at the rear of the carrier and therefore at the fluorescence layer.

Measurement process (principle of quenching)

If the sensor is immersed in the medium, an equilibrium is very quickly established between the oxygen partial pressure in both the medium and the fluorescence layer.

1. The sensor optics send orange light pulses to the fluorescence layer.
2. The markers "answer" (fluoresce) with darkred light pulses.
 - ↳ The decay time and intensity of the response signals are directly dependent on the oxygen contents and the partial pressure.

If the medium is free from oxygen, the decay time is long and the signal is very intense.

Oxygen molecules mask the marker molecules. As a result, the decay time is shorter and the signals are less intense.

Measurement result

- ▶ The sensor calculates the measurement result on the basis of the signal intensity and decay time using the Stern-Volmer equation.

The sensor provides measured values for temperature and partial pressure as well as a raw measured value. This value corresponds to the decay time of the fluorescence and is approx. 14 μ s in air and approx. 56 μ s in oxygen-free media.

For optimum measurement results

1. During calibration, enter the current air pressure at the transmitter.
2. In the case of saline media, enter the salinity.
3. For measurements in the units %Vol or %SAT, also enter the current operating pressure in the measuring mode.

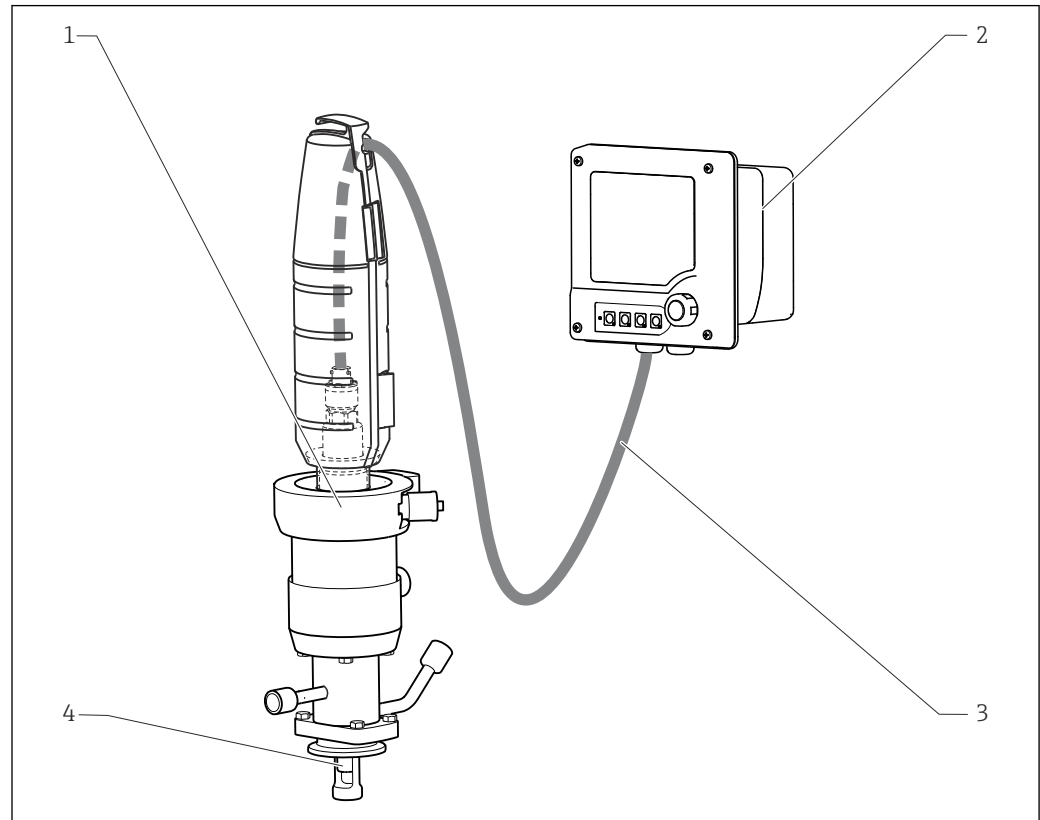


Operating Instructions for transmitter, e.g. BA01245C for Liquiline CM44x/R or CM44P.

Measuring system

A complete measuring system comprises:

- a Memosens COS81D oxygen sensor
- Measuring cable CYK10
- A transmitter, e.g. Liquiline CM42, Liquiline CM44x/R, Liquiline CM44P, Liquiline Compact CM72/82
- Optional: an assembly, e.g. permanent installation assembly CPA442, flow assembly or retractable assembly CPA875



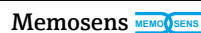
A0029064

1 Example of a measuring system with COS81D

- 1 Retractable assembly CPA875
- 2 Liquiline CM42 transmitter
- 3 Measuring cable CYK10
- 4 Memosens COS81D digital oxygen sensor

Dependability

Reliability



Memosens makes your measuring point safer and more reliable:

- Non-contact, digital signal transmission enables optimum galvanic isolation
- Completely watertight
 - Can even be connected under water
 - No contact corrosion
- Sensor can be calibrated in a lab, thus increasing the availability of the measuring point in the process
- Intrinsically safe electronics mean operation in hazardous areas is not a problem.
- Predictive maintenance thanks to recording of sensor data, e.g.:
 - Total hours of operation
 - Hours of operation with very high or very low measured values
 - Hours of operation at high temperatures
 - Number of steam sterilizations
 - Sensor condition

Maintainability

Easy handling

Sensors with Memosens technology have integrated electronics that store calibration data and other information (such as total hours of operation and operating hours under extreme measuring conditions). Once the sensor has been connected, the sensor data are transferred automatically to the transmitter and used to calculate the current measured value. As the calibration data are stored in the sensor, the sensor can be calibrated and adjusted independently of the measuring point. The result:

- Easy calibration in the measuring lab under optimum external conditions increases the quality of the calibration.
- Pre-calibrated sensors can be replaced quickly and easily, resulting in a dramatic increase in the availability of the measuring point .
- Maintenance intervals can be defined based on all stored sensor load and calibration data and predictive maintenance is possible.
- The sensor history can be documented on external data carriers and in evaluation programs. Thus, the current application of the sensors can be made to depend on their previous history.

Safety

Data security thanks to digital data transmission

Memosens technology digitizes the measured values in the sensor and transmits the data to the transmitter using a non-contact connection that is free from potential interference. The result:

- Automatic error message if sensor fails or connection between sensor and transmitter is interrupted
- Immediate error detection increases measuring point availability

Sensor monitoring

The optical signals are continuously monitored and analyzed for plausibility. If inconsistencies occur, an error message is output via the transmitter.

Aging of the sensor cap is detected. The transmitter first displays a warning for predictive maintenance and later generates an error message.

In addition, the following fault states are detected in conjunction with the transmitter's sensor check system:

- Implausibly high or low measured values
- Disturbed regulation due to incorrect measured values

Input

Measured values

Dissolved oxygen [mg/l, µg/l, ppm, ppb or %SAT or hPa]

Oxygen (gaseous) [hPa or %Vol]

Temperature [°C, °F]

Measuring ranges

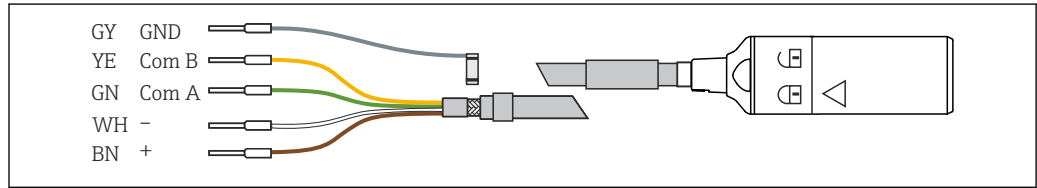
Measuring ranges apply for 25 °C (77 °F) and 1013 hPa (15 psi)

c-shaped	u-shaped
0.004 to 26 mg/l 0.05 to 285 % SAT 0.1 to 600 hPa	0.004 to 30 mg/l 0.05 to 330 % SAT 0.1 to 700 hPa

Power supply

Electrical connection

The electrical connection simulator to the transmitter is established using measuring cable CYK10.



2 Measuring cable CYK10

Performance characteristics

Response time

From air to nitrogen at reference operating conditions:

- $t_{90} : < 10 \text{ s}$
- $t_{98} : < 20 \text{ s}$

Reference operating conditions

Reference temperature: 25 °C (77 °F)
 Reference pressure: 1013 hPa (15 psi)

Maximum measured error¹⁾

At 25 °C (77 °F)

Measured value [mg/l]	Maximum measured error [mg/l]	Measured value [hPa]	Maximum measured error [hPa]
0.04	±0.008	1	±0.2
0.8	±0.017	20	±0.4
9.1	±0.1	210	±2
26	±0.5	600	±12

1) In accordance with IEC 60746-1 at rated operating conditions

Installation

Installation instructions

Must be installed in a suitable assembly (depending on the application).

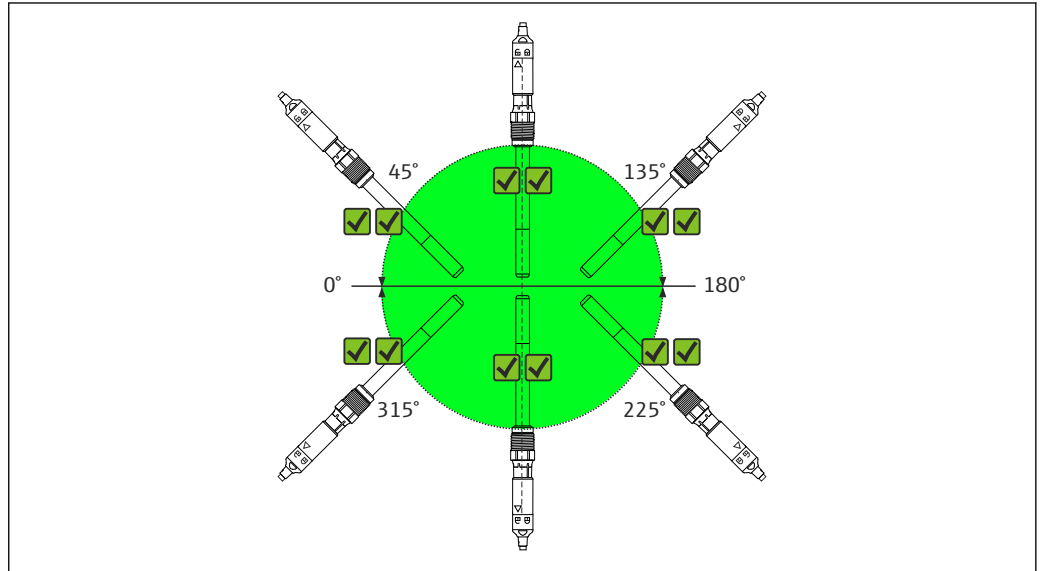
NOTICE

Installing the unit without an assembly carries the risk of cable breakage or sensor loss!

- ▶ The sensor must not be suspended from the cable.

Orientation

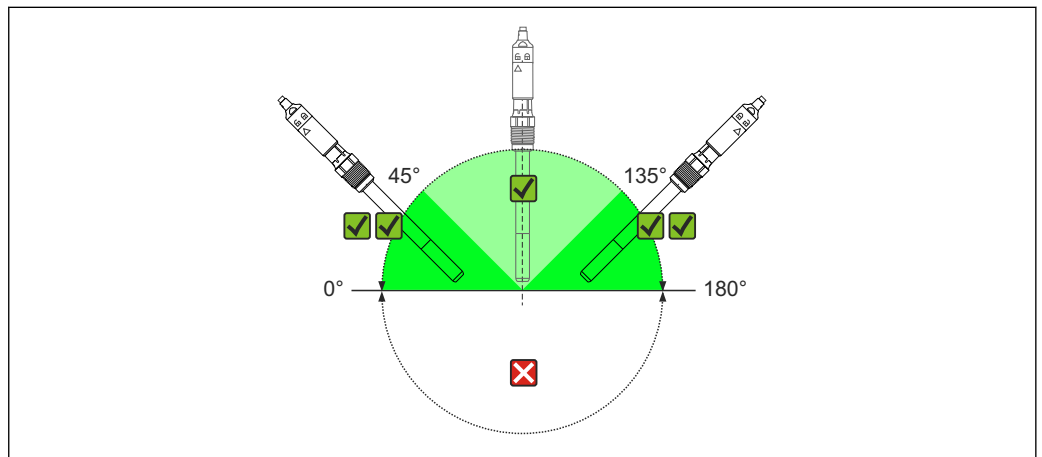
COS81D-***C*** (c-shaped)



3 Angle of installation for COS81D-***C*** (c-shaped spot cap)

The sensor can be installed in any position (0 to 360°).

COS81D-***U*** (u-shaped)



4 Angle of installation for COS81D-***U*** (u-shaped spot cap)

Recommended angle of inclination

The sensor must be installed at an angle of inclination of 0 to 180° in an assembly, holder or appropriate process connection. Recommended angle: 0 to 45° or 135 to 180° to prevent the attachment of air bubbles. At angles of inclination of 45 to 135°, air bubbles at the oxygen-sensitive membrane may increase the measured value.

Inclination angles other than those mentioned are not permitted. Do **not** install the COS81D-***U*** sensor upside down in order to avoid buildup and condensation on the spot.



Follow the instructions for installing sensors in the Operating Instructions for the assembly used.

Installation examples

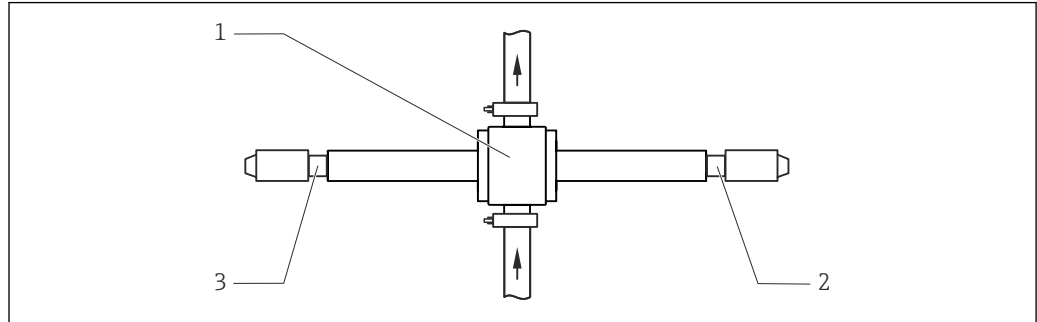
Permanent installation (CPA442)

The permanent installation assembly CPA442 enables easy adaptation of a sensor to nearly any process connections from Ingold nozzles to Varivent or Tri-Clamp connections. This kind of installation is very well suited for tanks and larger pipes. You will achieve a defined immersion depth of the sensor into the medium in the simplest way.

Flow assembly

Flow assembly CYA680

The flow assembly is available in various nominal diameters and materials. It can be installed both in horizontal and vertical pipes.



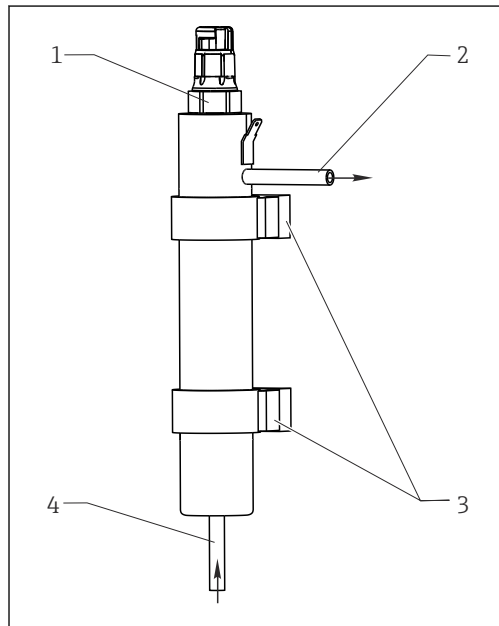
A0032284-EN

5 Flow assembly CYA680

- 1 Assembly
- 2 Built-in sensor
- 3 Built-in sensor

Flow assembly for water treatment and processes

The compact stainless steel assembly offers space for a 12-mm sensor with a length of 120 mm. The assembly has a low sampling volume and, with the 6-mm connections, it is best suited for residual oxygen measurement in water treatments and boiler feedwater. The flow comes from below.



A0014081

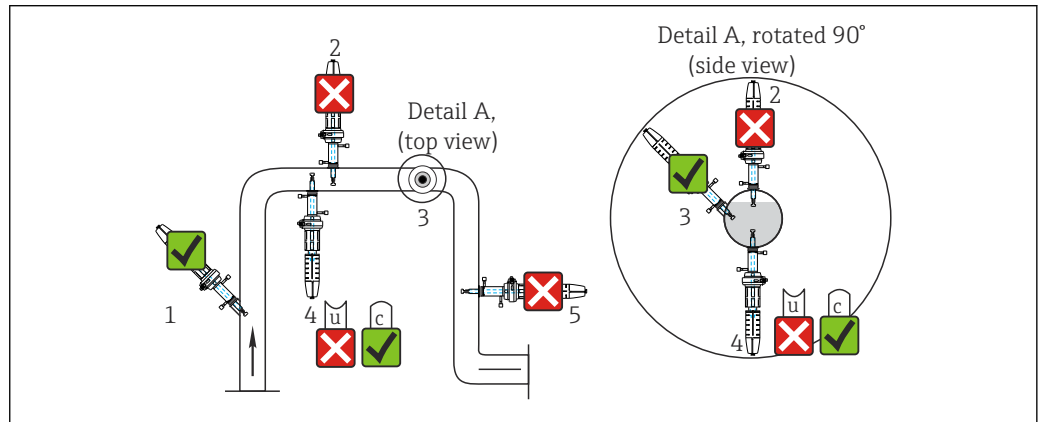
6 Flow assembly

- 1 Built-in sensor
- 2 Drain
- 3 Wall mount (clamp D29)
- 4 Inflow

**Retractable assembly
(CPA875 or CPA450)**

The assembly is designed for installation on tanks and pipes. Suitable nozzles must be available for this.

Install the assembly at places with constant flow. The minimum pipe diameter is DN 80.



7 Permissible and impermissible sensor installation positions with retractable assembly

- 1 Ascending pipe, best position
- 2 Horizontal pipe, sensor top down, impermissible due to air cushion or foam bubble forming
- 3 Horizontal pipe, lateral installation with permissible installation angle (acc. to sensor version)
- 4 Upside-down installation, only in conjunction with c-shaped spot cap
- 5 Down pipe, impermissible

NOTICE

Sensor not in the medium all the way, buildup, upside-down installation

These can all cause incorrect measurements!

- ▶ Do not install assembly at points where air pockets or bubbles may form.
- ▶ Avoid or regularly remove deposits on the spot cap.
- ▶ Do not install sensor COS81D-***U (u-shaped) upside down.

Environment

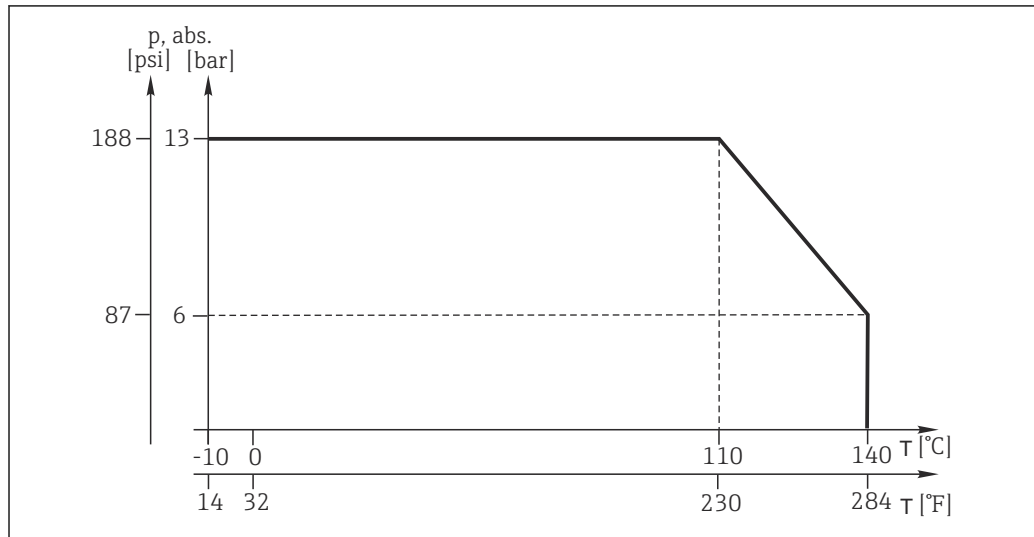
Ambient temperature	-5 to +100 °C (23 to 212 °F)
Storage temperature	-25 to 50 °C (77 to 120 °F) at 95% relative air humidity, not condensating
Degree of protection	IP68 (10 m (33 ft) water column at 25 °C (77 °F) over 28 days) IP69K (test in accordance with DIN 40050-9)

Process

Process temperature	Sensor	General	Oxygen measurement
	COS81D-***1* (EPDM)	-10 to +140 °C (15 to 280 °F)	
	COS81D-***3* (FFKM)	0 to +140 °C (32 to 280 °F)	
	COS81D-**C*** (c-shaped)		0 to 60 °C (32 to 140 °F)
	COS81D-**U*** (u-shaped)		0 to 80 °C (32 to 175 °F)

Process pressure	0.02 to 13 bar (0 to 190 psi) abs.
-------------------------	------------------------------------

Temperature-pressure ratings



A0032287-EN

Chemical resistance

NOTICE

Halogen-containing solvents, ketones and toluene

Halogen-containing solvents (dichloromethane, chloroform), ketones (e.g. acetone, pentanone) and toluene have a cross-sensitive effect and result in decreased measured values or, at worst, in the complete failure of the sensor!

- Use the sensor only in media that are free from halogens, ketones and toluene.

CIP compatibility

Yes

SIP compatibility

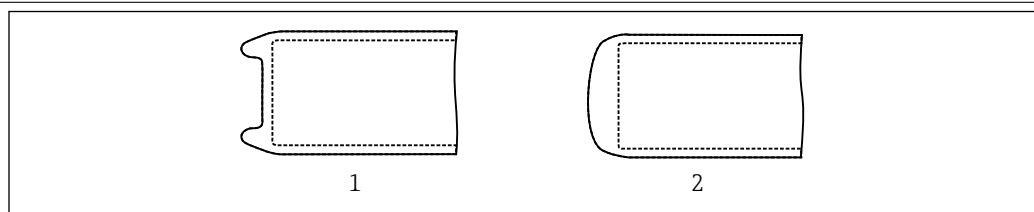
Yes, max. 140 °C (284 °F)

Autoclavability

Yes, max. 140 °C (284 °F)

Mechanical construction

Design

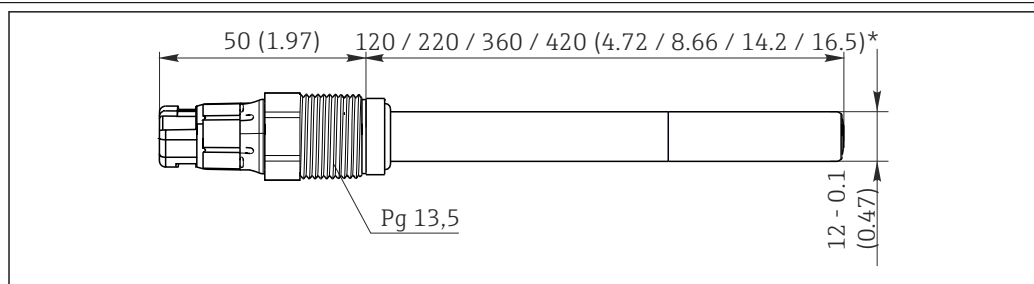


A0034733

8 Design of spot cap

- 1 u-shaped
- 2 c-shaped

Dimensions



A0034910

9 Dimensions in mm (inch)

Weight	Depending on the design (length) Example: 0.1 kg (0.20 lbs) for version with 120 mm length										
Materials	<p>Parts in contact with medium</p> <table border="0"> <tr> <td>Sensor shaft</td> <td>Stainless steel 1.4435 (AISI 316L)</td> </tr> <tr> <td>Process seal</td> <td>FKM (USP<87>, <88> Class VI and FDA)</td> </tr> <tr> <td>Process seal for Ex versions</td> <td>FKM (not FDA-compliant)</td> </tr> <tr> <td>Seals/O-rings</td> <td>EPDM, FFKM (USP<87>, <88> Class VI and FDA)</td> </tr> <tr> <td>Spot layer</td> <td>Silicone (USP<87>, <88> Class VI and FDA)</td> </tr> </table>	Sensor shaft	Stainless steel 1.4435 (AISI 316L)	Process seal	FKM (USP<87>, <88> Class VI and FDA)	Process seal for Ex versions	FKM (not FDA-compliant)	Seals/O-rings	EPDM, FFKM (USP<87>, <88> Class VI and FDA)	Spot layer	Silicone (USP<87>, <88> Class VI and FDA)
Sensor shaft	Stainless steel 1.4435 (AISI 316L)										
Process seal	FKM (USP<87>, <88> Class VI and FDA)										
Process seal for Ex versions	FKM (not FDA-compliant)										
Seals/O-rings	EPDM, FFKM (USP<87>, <88> Class VI and FDA)										
Spot layer	Silicone (USP<87>, <88> Class VI and FDA)										
Process connection	Pg 13.5 Torque max. 3 Nm										
Surface roughness	R _a < 0.38 μm										
Temperature sensor	Pt1000 (Class A according to DIN IEC 60751)										

Certificates and approvals

Declaration of Conformity The product meets the requirements of the harmonized European standards. As such, it complies with the legal specifications of the EU directives. The manufacturer confirms successful testing of the product by affixing to it the **CE** mark.

Ex approvals

Version COS81D-BA
ATEX II 1G Ex ia IIC T3/T4/T6 Ga

Version COS81D-IA
IECEx Ex ia IIC T3/T4/T6 Ga

Material certificates **Manufacturer declaration of FDA compatibility**
The manufacturer declares the use of FDA-listed materials.

Product	FDA certificate for
COS81D-*****1	O-rings, process seal, spot layer in contact with medium



Hazardous area versions

For operation in FDA processes, another FDA-approved seal must be installed before the process seal (for example CPA442). Doing so will sufficiently separate the process from the Ex connection.

Material test certificate

A test certificate 3.1 in accordance with EN 10204 is supplied depending on the version (→ Product Configurator on the product page).

EHEDG **COS81D-*****1* only**
Compliance with EHEDG's criteria for hygienic design

- Technical University of Munich, Research Center for Brewing and Food Quality, Freising-Weihenstephan
- Certificate type: Type EL Class I


ASME BPE-2016 Designed in accordance with ASME criteria (American Society of Mechanical Engineers)

Regulation (EC) No. 1935/2004 Meets the requirements of Regulation (EC) No. 1935/2004

Biological reactivity test	Certificate of Compliance for biological reactivity tests as per USP (United States Pharmacopeia) part <87> and part <88> class VI with batch traceability of materials in contact with product (O-rings, spot layer in contact with medium).
-----------------------------------	---

Ordering information

Product page	www.endress.com/cos81d
---------------------	--





Product Configurator	<p>On the product page there is a "Configure" button to the right of the product image Configure.</p> <ol style="list-style-type: none"> 1. Click this button. <ul style="list-style-type: none"> ↳ The Configurator opens in a separate window. 2. Select all the options to configure the device in line with your requirements. <ul style="list-style-type: none"> ↳ In this way, you receive a valid and complete order code for the device. 3. Export the order code as a PDF or Excel file. To do so, click the appropriate button on the right above the selection window. <p> For many products you also have the option of downloading CAD or 2D drawings of the selected product version. Click the tab for this CAD and select the desired file type using picklists.</p>
-----------------------------	--

Scope of delivery	<p>Scope of delivery of sensor</p> <ul style="list-style-type: none"> ▪ Oxygen sensor with protection cap ▪ Brief Operating Instructions <p>Scope of delivery of maintenance kit Memosens COV81:</p> <ul style="list-style-type: none"> ▪ Spot cap ▪ O-ring mounting tool ▪ Cleaning tissue for optics ▪ O-rings
--------------------------	--

Accessories

The following are the most important accessories available at the time this documentation was issued.

- ▶ For accessories not listed here, please contact your Service or Sales Center.

Assemblies (selection)	<p> COS81D with 220 mm length is suitable for all assemblies requiring an installation length of 225 mm.</p> <p>Cleanfit CPA875</p> <ul style="list-style-type: none"> ▪ Retractable process assembly for sterile and hygienic applications ▪ For in-line measurement with standard 12 mm sensors for parameters such as pH, ORP and oxygen ▪ Product Configurator on the product page: www.endress.com/cpa875 <p> Technical Information TI01168C</p> <p>Unifit CPA442</p> <ul style="list-style-type: none"> ▪ Installation assembly for food, biotechnology and pharmaceuticals ▪ With EHEDG and 3A certificate ▪ Product Configurator on the product page: www.endress.com/cpa442 <p> Technical Information TI00306C</p> <p>Cleanfit CPA450</p> <ul style="list-style-type: none"> ▪ Manual retractable assembly for installing 120 mm sensors in tanks and pipes ▪ Product Configurator on the product page: www.endress.com/cpa450 <p> Technical Information TI00183C</p>
-------------------------------	---

Flow assembly

- For sensors with Ø 12 mm and length 120 mm
- Compact stainless steel assembly with low sampling volume
- Order No.: 71042404

CYA680

- Flow assembly for hygienic sensors
- For sensor installation in pipes
- Suitable for cleaning in place (CIP) and sterilization in place (SIP)
- Certified biocompatibility as per USP Class VI, FDA-listed seals and hygienic, electropolished surfaces Ra=0.38 µm (15 µinch)
- Product Configurator on the product page: www.endress.com/cya680



Technical Information TI01295C

Measuring cable

CYK10 Memosens data cable

- For digital sensors with Memosens technology
- Product Configurator on the product page: www.endress.com/cyk10



Technical Information TI00118C

Memosens data cable CYK11

- Extension cable for digital sensors with Memosens protocol
- Product Configurator on the product page: www.endress.com/cyk11



Technical Information TI00118C

Zero-point gel

COY8

Zero-point gel for oxygen and chlorine sensors

- Oxygen-free gel for the validation, calibration and adjustment of oxygen measuring cells
- Product Configurator on the product page: www.endress.com/coy8



Technical Information TI01244C

www.addresses.endress.com
